



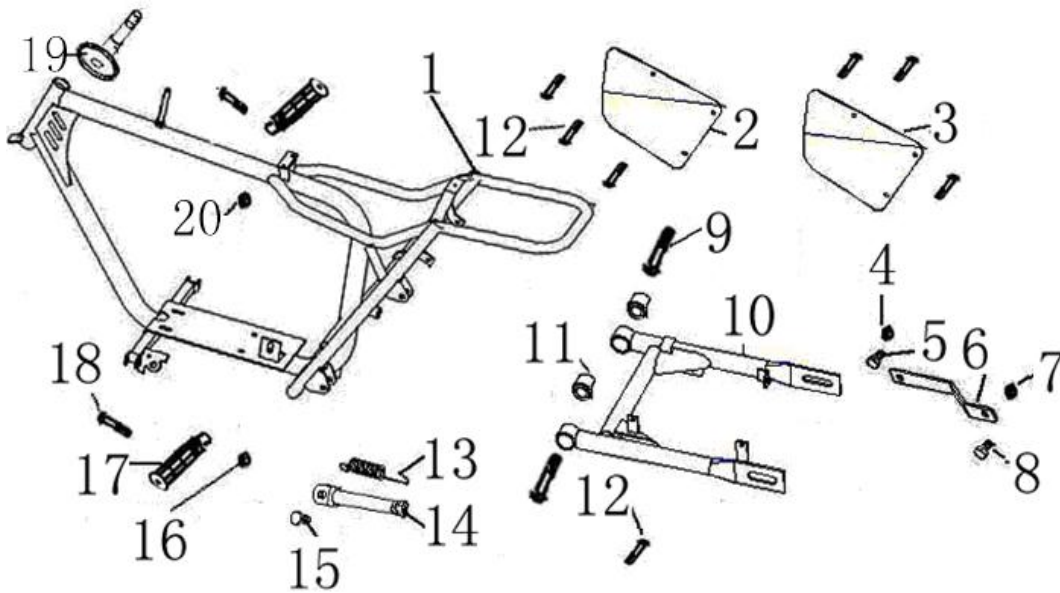
MINI BIKE-2 WITH BELT CVT

VERSION 1.0

2015-06-27

Parts available online at www.GoPowerSports.com

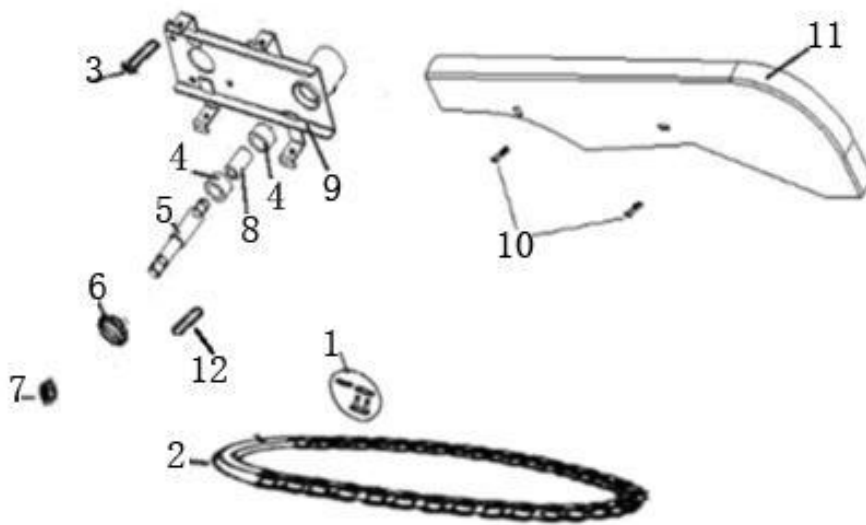
FIG. 1 FRAME GROUP



| NO. | CODE | DESCRIPTION | QTY. |
|-----|--------------|--|------|
| 1 | 57100-PL | FRAME BODY COMP. | 1 |
| 2 | 58001-PL | DUMMY PLATE. L | 1 |
| 3 | 58002-PL | DUMMY PLATE. R | 1 |
| 4 | 618710000125 | LOCKING NUT M10x1.25 | 3 |
| 5 | 578910020125 | FLANGE BOLT M10X1.25X20 | 1 |
| 6 | 58004-L | RR. BRAKE CONNECTING ROD | 1 |
| 7 | 618708000125 | LOCKING NUT M8x1.25 | 1 |
| 8 | 58007-L | STEPS BOLT M8 (RR. BRAKE CONNECTING ROD) | 1 |
| 9 | 578910060125 | FLANGE BOLT M10*1.25*60 | 2 |
| 10 | 58210-PL | REAR SWING ARM | 1 |
| 11 | 7.020.077 | SHOCK ABSORBING BUSHING φ10*φ30*30/35 | 2 |
| 12 | 578906016125 | FLANGE BOLT M8X1.25X16 | 6 |
| 13 | 58401-L | SIDE STAND SPRING | 1 |
| 14 | 58410--PL | SIDE STAND | 1 |
| 15 | 58402-L | SIDE STAND BOLT | 1 |
| 16 | 618706000000 | LOCKING NUT M6 | 2 |
| 17 | 58510-L | PEDAL | 2 |
| 18 | 578906035100 | FLANGE BOLT M6X35 | 2 |
| 19 | 58310-PL | DUMMY FUEL TANK BRACKET | 1 |
| 20 | 617008000125 | NUT M8 | 1 |

Parts available online at www.GoPowerSports.com

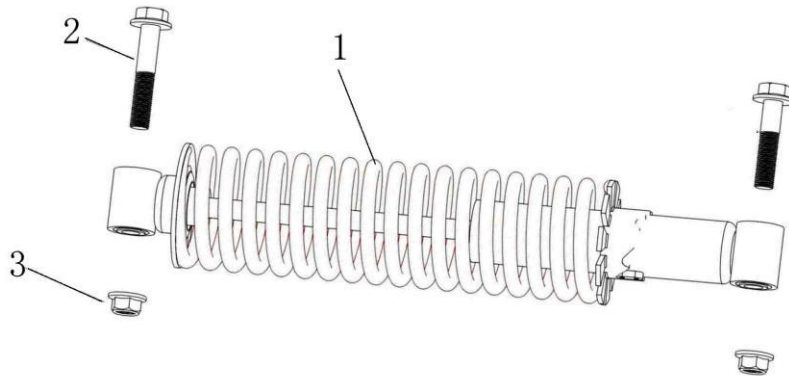
FIG. 2 DRIVE ASSY



| NO. | CODE | DESCRIPTION | QTY. |
|-----|----------------|---|------|
| 1 | 420-10 | 420 CHAIN MASTER LINK | 1 |
| 2 | 420-104 | DRIVE CHAIN 420-104 | 1 |
| 3 | 578908016125 | FLANGE BOLT M8X1.25X16 | 4 |
| 4 | 6003-2RS | BEARING 6003-2RS | 2 |
| 5 | 10101-PL1 | TRANSITIONAL SHAFT | 1 |
| 6 | 8011077080G000 | OUTPUT GEAR-10T-420 | 1 |
| 7 | 618716000150 | LOCKING NUT M16X1.5 | 1 |
| 8 | 58202-L | TRANSITIONAL SHAFT BEARING BUSHING 22X17.2-43 | 1 |
| 9 | 58200-PL | TRANSITIONAL SHAFT BRACKET | 1 |
| 10 | 578906012100 | FLANGE BOLT M6X12 | 2 |
| 11 | 58003-PL | CHAIN COVER | 1 |
| 12 | 58209-PL1 | KEY 5X5-70 | 1 |

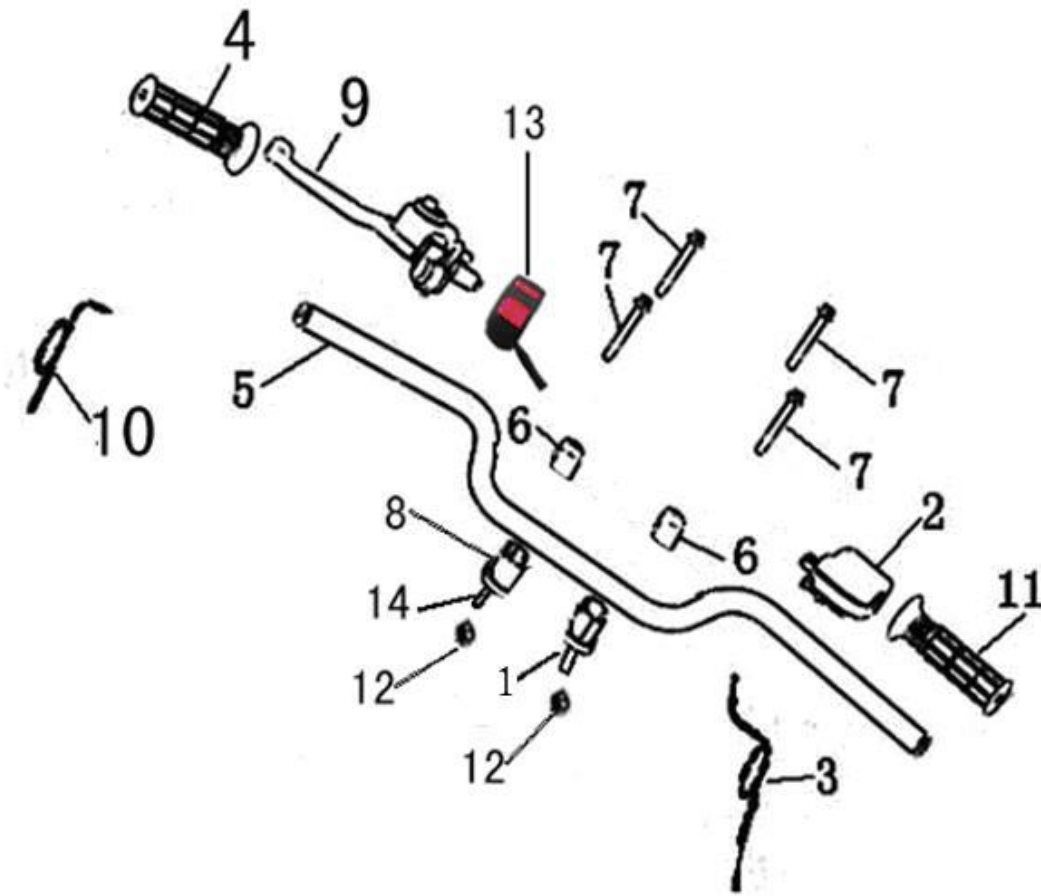
Parts available online at www.GoPowerSports.com

FIG.3 REAR SHOCK ASSY.



| NO. | CODE | DESCRIPTION | QTY. |
|-----|--------------|-------------------------|------|
| 1 | 63100-PL | SHOCK ABSORBER ASSY. RR | 2 |
| 2 | 578710040125 | FLANGE BOLT M10*1.25*40 | 4 |
| 3 | 618710000125 | LOCKING NUT M10X1.25 | 4 |

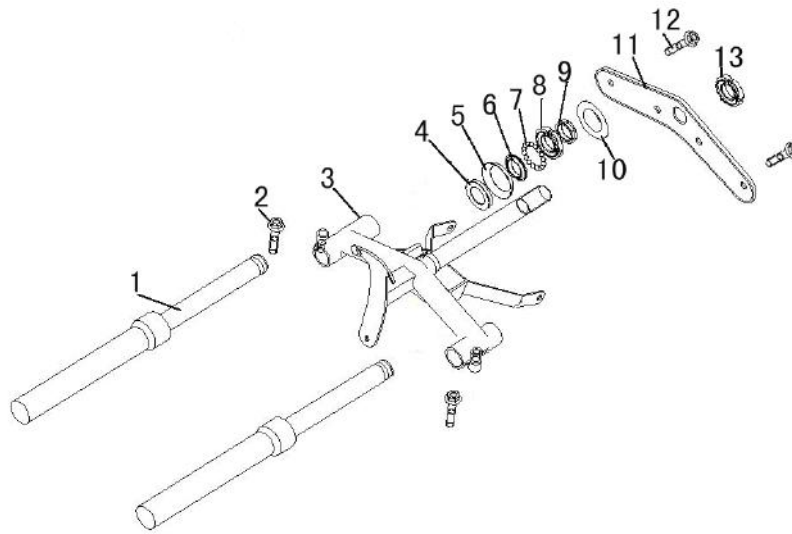
FIG.4 HANDLE BAR ASSY.



| NO. | CODE | DESCRIPTION | QTY. |
|-----|--------------|-----------------------------|------|
| 1 | 578108030125 | BOLT M10X27X1.25 | 1 |
| 2 | 40510-L | THROTTLE BRAK CET COMP. | 1 |
| 3 | 60120-L | THROTTLE CABLE COMP. | 1 |
| 4 | 58193-N | GRIP L. | 1 |
| 5 | 40101-L | HANDLE BAR | 2 |
| 6 | 43014-L | HANDLE BAR UPPER FIXED SEAT | 4 |
| 7 | 578708030125 | FLANGE BOLT M8X30 | 2 |
| 8 | 43015-L | HANDLEBAR LOWER FIXED SEAT | 1 |
| 9 | 40090-L | BRAKE LEVER | 1 |
| 10 | 40270-L | BRAKE CABLE | 1 |
| 11 | 40520-L | GRIP R. | 2 |
| 12 | 618710000125 | LOCKING NUT M10*1.25 | 1 |
| 13 | 40600-L | ENGINE STOP BUTTON | 2 |

Parts available online at www.GoPowerSports.com

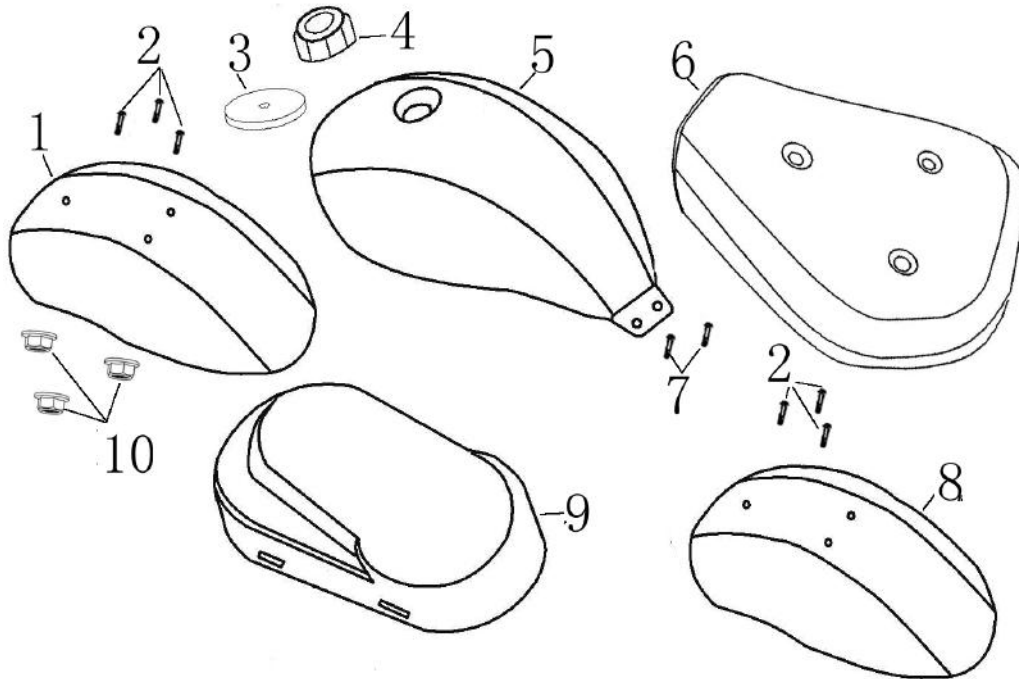
FIG.5 FRONT FORK ASSY



| NO. | CODE | DESCRIPTION | QTY. |
|-----|--------------|-----------------------------|------|
| 1 | 40320-PL | SHOCK ABSORBER ASSY. FR | 2 |
| 2 | 578710035125 | FLANGE BOLT M10X1.25X35 | 2 |
| 3 | 43100-PL | FRONT FORK WELDING COMP. | 1 |
| 4 | 43004-L | LOWER BEARING STEEL BOWL | 1 |
| 5 | 43003-L | LOWER BEARING PROCURED BOWL | 1 |
| 6 | 43002-L | UPPER BEARING STEEL BOWL | 1 |
| 7 | 43005-L | BALL BEARING | 2 |
| 8 | 43001-L | UPPER BEARING PROCURED BOWL | 1 |
| 9 | 43008-L | FRONT FORK BOLT M25*1 | 1 |
| 10 | 58001-L | STEERING SHAFT WASHER | 1 |
| 11 | 43102-L | CONNECTING PLATE | 4 |
| 12 | 43021-PL | FLANGE BOLT M12x1.25x12 | 2 |
| 13 | 43008-L | FRONT FORK BOLT M25*1 | 1 |

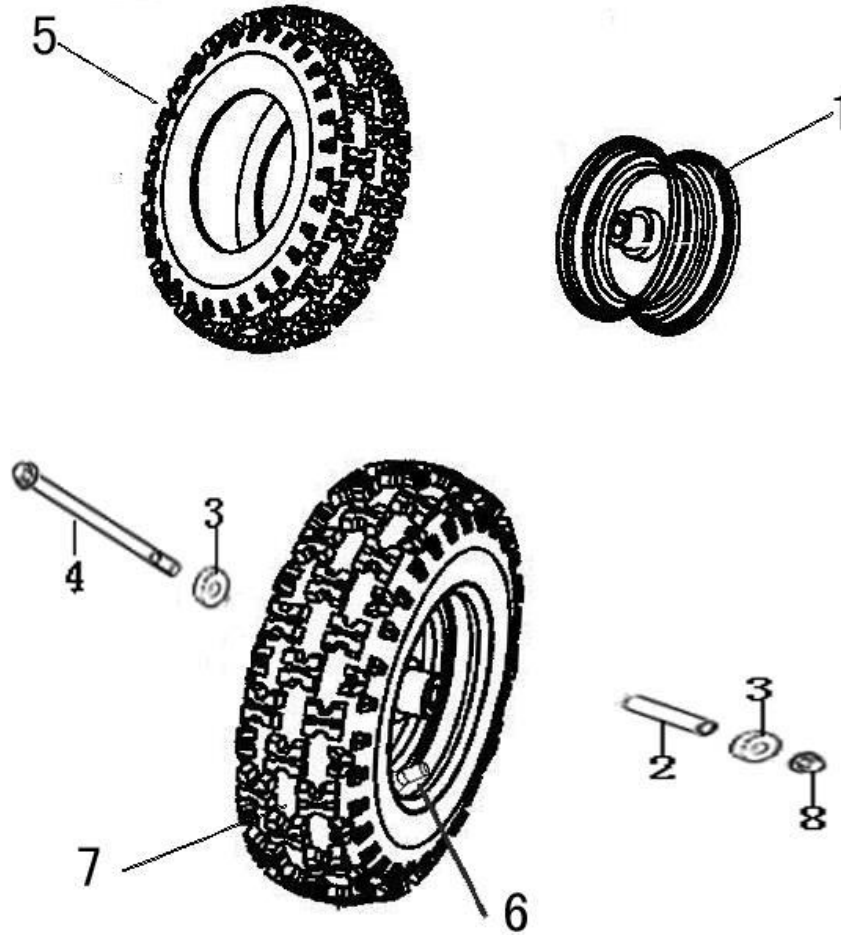
Parts available online at www.GoPowerSports.com

FIG.6 COVER, SEAT



| NO. | CODE | DESCRIPTION | QTY. |
|-----|--------------|----------------------------|------|
| 1 | 65001-PL | FRONT FENDER (PLASTIC) | 1 |
| 2 | 578906016100 | FLANGE BOLT M6X16 | 6 |
| 3 | 65005-PL | DUMMY FUEL TANK CAP WASHER | 1 |
| 4 | 65002-PL | DUMMY FUEL TANK CAP | 1 |
| 5 | 65003-PL | DUMMY FUEL TANK | 1 |
| 6 | 51000-PL | SEAT COMP. | 1 |
| 7 | 578706012100 | FLANGE BOLT M6X12 | 2 |
| 8 | 65001-PL | REAR FENDER (PLASTIC) | 1 |
| 9 | 65008-PL | CLUTCH COVER | 1 |
| 10 | 617706000100 | FLANGE NUT M6 | 7 |

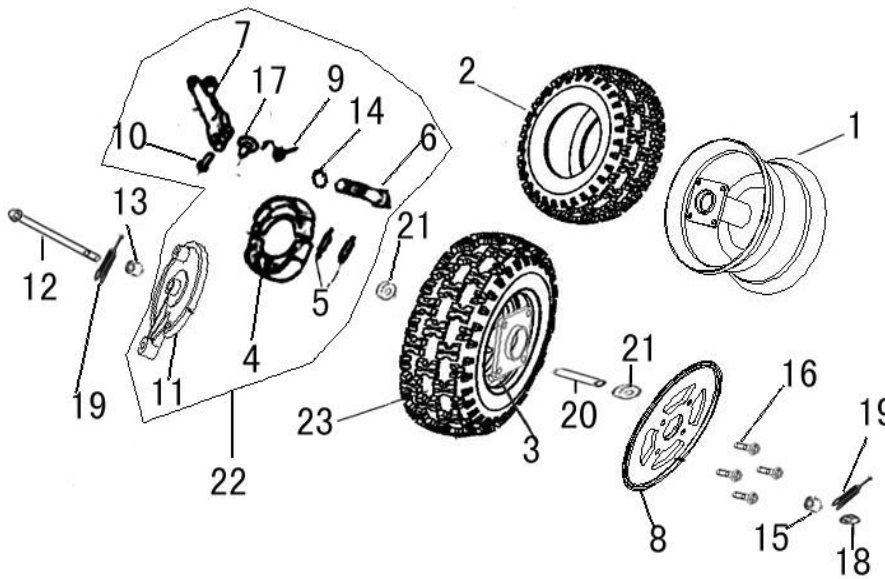
FIG.7 FRONT WHEEL



| NO. | CODE | DESCRIPTION | QTY. |
|-----|--------------|------------------------|------|
| 1 | 44110-L | FRONT RIM | 1 |
| 2 | 44002-L | FRONT SPACER BUSHING | 1 |
| 3 | 6202-2RS | BEARING 6202-2RS | 2 |
| 4 | 44001-L | FRONT AXLE M14x1.5x310 | 1 |
| 5 | 44003-L | FRONT TIRE 19x7-8 | 1 |
| 6 | 44010-L | AIR VALVE | 1 |
| 7 | 44100-L | FRONT WHEEL ASSY | 1 |
| 8 | 618714000150 | LOCKING NUT M14*1.5 | 1 |

Parts available online at www.GoPowerSports.com

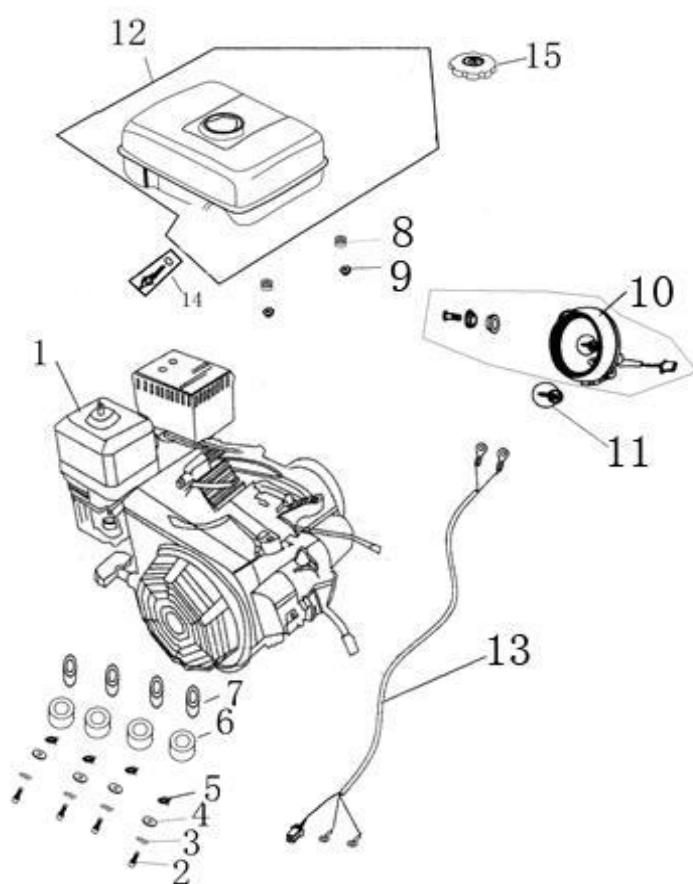
FIG.8 REAR WHEEL



| NO. | CODE | DESCRIPTION | QTY. |
|-----|--------------|---|------|
| 1 | 54110-L | REAR RIM | 1 |
| 2 | 44003-L | REAR TIRE 19x7-8 | 1 |
| 3 | 44010-L | AIR VALVE | 1 |
| 4 | 54210-L | BRAKE CALIPER PAD SET | 1 |
| 5 | 54002-L | BRAKE CALIPER PAD SET TENSION SPRING | 2 |
| 6 | 54003-L | REAR BRAKE CAMSHAFT | 1 |
| 7 | 54007-L | REAR BRAKE ARM | 1 |
| 8 | 54006-L | GEAR-38T-420 | 1 |
| 9 | 54008-L | REAR BRAKE RETURN SPRING | 1 |
| 10 | 08012-L | REAR BRAKE ARM ERECTION BOLT M6X35 | 1 |
| 11 | 54220-L | REAR BRAKE HUB CAP | 1 |
| 12 | 54001-L | REAR AXLE M14X1.5-330 | 1 |
| 13 | 54004-PL | REAR WHEEL SPACER BUSHING R Φ22xΦ16-47 | 1 |
| 14 | 54021-L | O-RING | 1 |
| 15 | 54006-PL | REAR WHEEL SPACER BUSHING L Φ22xΦ16-36 | 1 |
| 16 | 578908025125 | FLANGE BOLT M8X25 | 4 |
| 17 | 54009-L | REAR BRAKE ARM INDICATOR | 1 |
| 18 | 618708000150 | LOCKING NUT M14*1.5 | 1 |
| 19 | 54030-L | CHAIN ADJUSTER COMP. | 2 |
| 20 | 54011-L | REAR WHEEL BEARING SPACER BUSHING | 1 |
| 21 | 6202-2RS | BEARING 6202-2RS | 2 |
| 22 | 54200-L | REAR DRUM BRAKE COMP. | 1 |
| 23 | 54100-L | REAR WHEEL ASSY. | 1 |

Parts available online at www.GoPowerSports.com

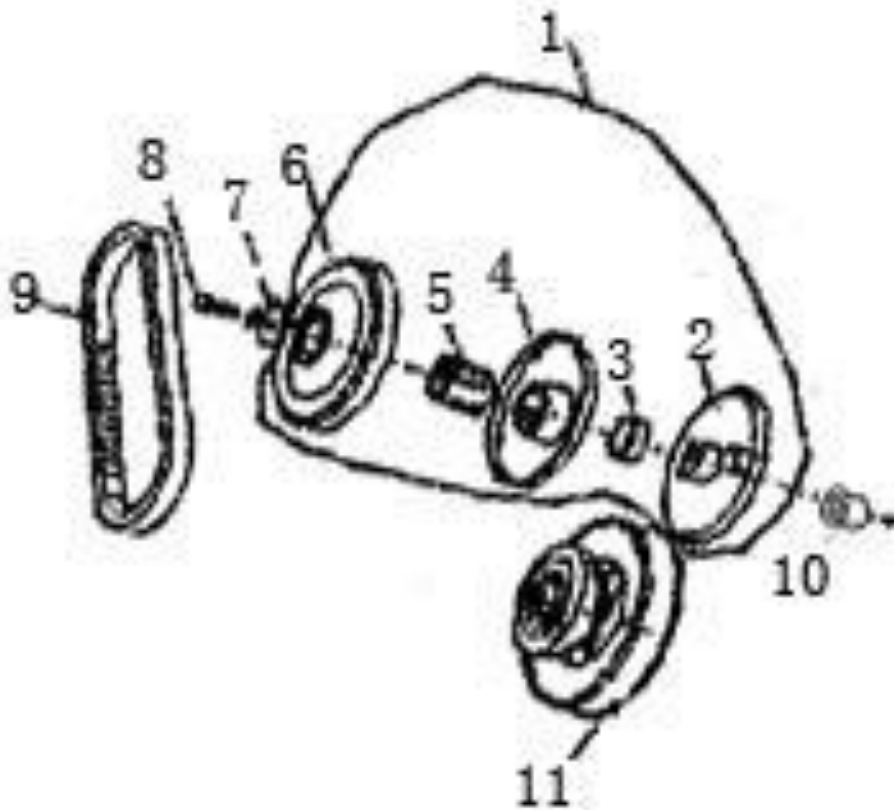
FIG.9 ENGINE



| NO. | CODE | DESCRIPTION | QTY. |
|-----|---------------|-----------------------------|------|
| 1 | 10000-L | ENGINE COMP. JF168FLH-7D | 1 |
| 2 | 578708055125 | FLANGE BOLT M8x55 | 4 |
| 3 | 930008000000 | LOCKING WASHER φ8 | 4 |
| 4 | 970008000000 | FLAT WASHER φ8 | 4 |
| 5 | 618708000125 | LOCKING NUT M8 | 4 |
| 6 | 10011-PL | ENGINE CUSHIONφ12xΦ30x20 | 4 |
| 7 | 10012-PL | ENGINE BUSHINGφ8.5xΦ12x20 | 4 |
| 8 | 50001-80 | FUEL TANK CUSHION Φ10*Φ22*4 | 2 |
| 9 | 617706000100 | FLANGE NUT M6 | 2 |
| 10 | 81100-L | HEADLIGHT COMP | 1 |
| 11 | 81101-L | HEADLIGHT BULB | 1 |
| 12 | 50100-L | FUEL TANK COMP. | 1 |
| 13 | 80025-L | CABLE | 1 |
| 14 | JF168-N-08 | FUEL TANK SWITCH | 1 |
| 15 | 6.000.145-250 | FUEL TANK CAP | 1 |

Parts available online at www.GoPowerSports.com

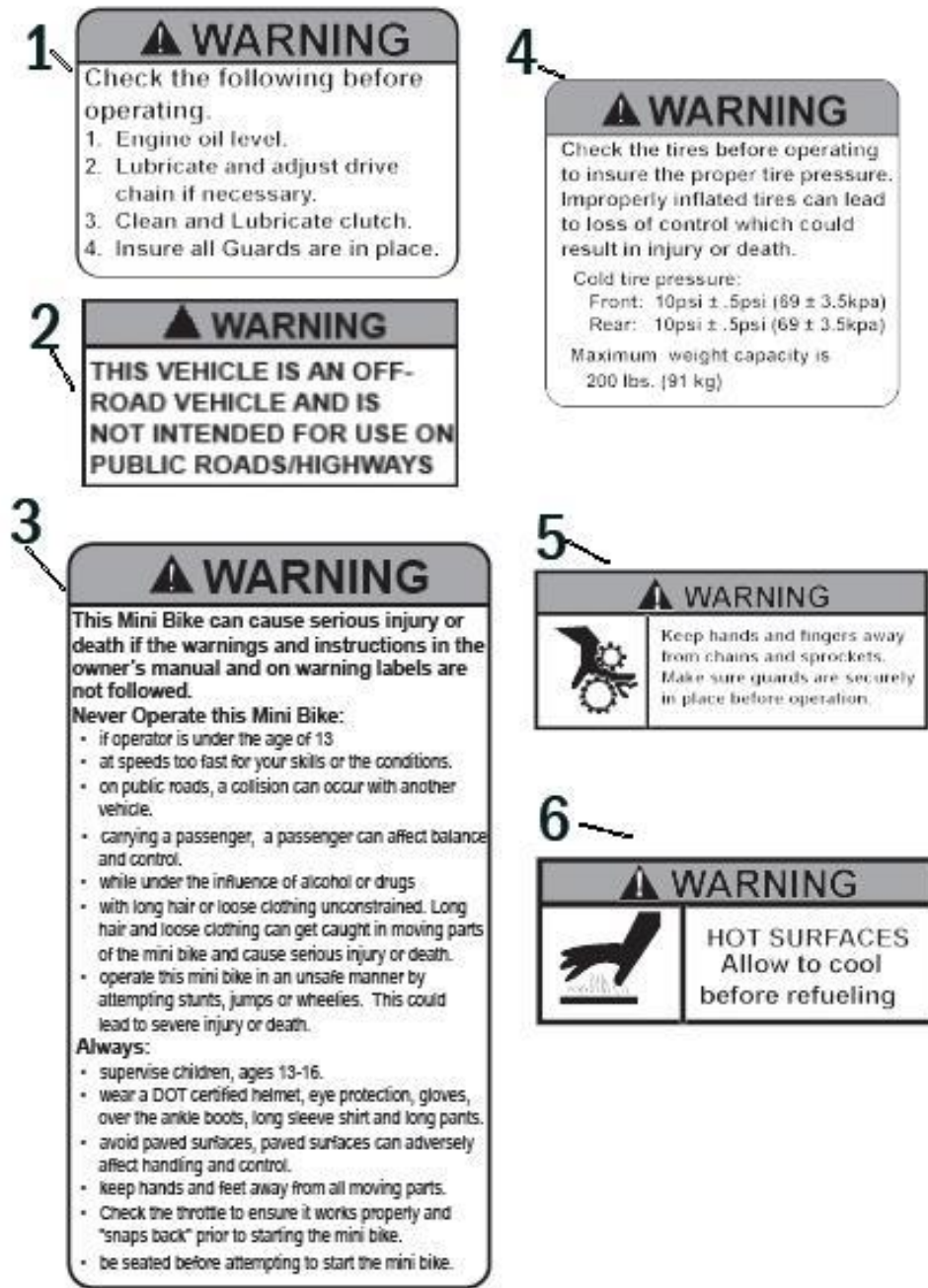
FIG.10 CVT



| NO. | CODE | DESCRIPTION | QTY. |
|-----|-----------|---|------|
| 1 | 9.500.001 | FRONT CLUTCH 80T | 1 |
| 2 | 8.146.098 | SHEAVE, STATIONARY | 1 |
| 3 | 8.146.099 | BUSHING | 1 |
| 4 | 8.147.000 | SHEAVE, MOVEABLE | 1 |
| 5 | 8.147.001 | HUB | 1 |
| 6 | 8.147.002 | DRUM | 1 |
| 7 | 9.300.008 | BUSHING BOLCK | 1 |
| 8 | GB5787 | BOLT, M8X40 | 1 |
| 9 | 9.100.018 | BELT | 1 |
| 10 | 8.010.094 | COLLAR $\Phi 30 \times \Phi 20 \times 12.5$ | 1 |
| 11 | 9.500.010 | DRIVEN PULLEY | 1 |

Parts available online at www.GoPowerSports.com

FIG.11 WARNING STICKERS



| NO. | CODE | DESCRIPTION | QTY. |
|-----|-----------|-----------------|------|
| 1 | 90002-50L | LABEL.WARNING 1 | 1 |
| 2 | 90007-50L | LABEL.WARNING 2 | 1 |
| 3 | 90001-50L | LABEL.WARNING 3 | 1 |
| 4 | 90006-50L | LABEL.WARNING 4 | 1 |
| 5 | 90004-50L | LABEL.WARNING 5 | 1 |
| 6 | 90003-50L | LABEL.WARNING 6 | 1 |